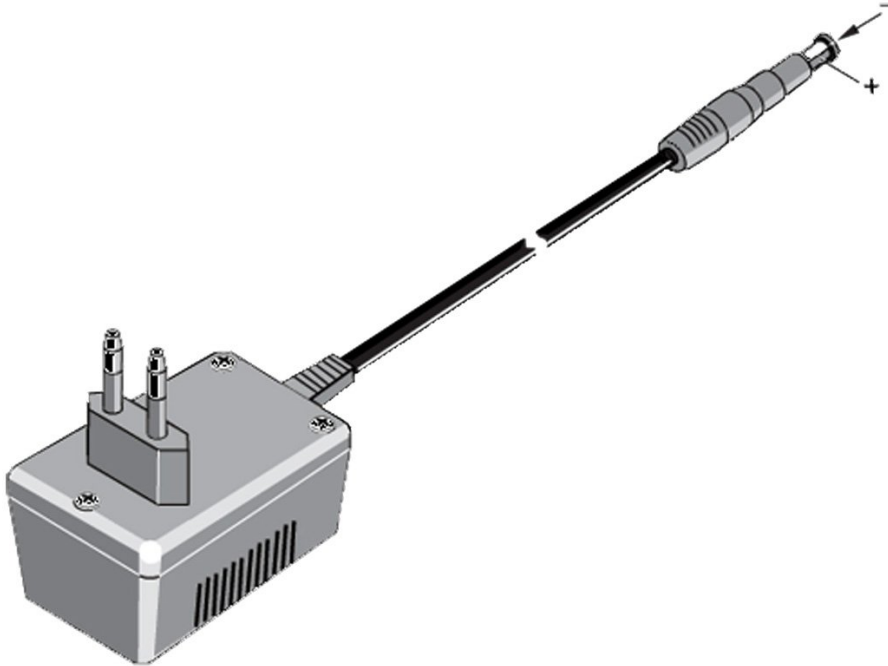


Thông số kỹ thuật

Fluke PM8907 Line Voltage Adapter/Battery Charger



Tính năng chính

808 is equipped with a male receptacle plug that must be connected to a line cord appropriate for local use. (Line cord not included) A North American line plug adapter is included.

Tổng quan sản phẩm: Fluke PM8907 Line Voltage Adapter/Battery Charger

Provides power cord operation and charging for ScopeMeter 90 and 120 series as well as for the Fluke 43 and 43B Power Quality Analyzer and some accessories.

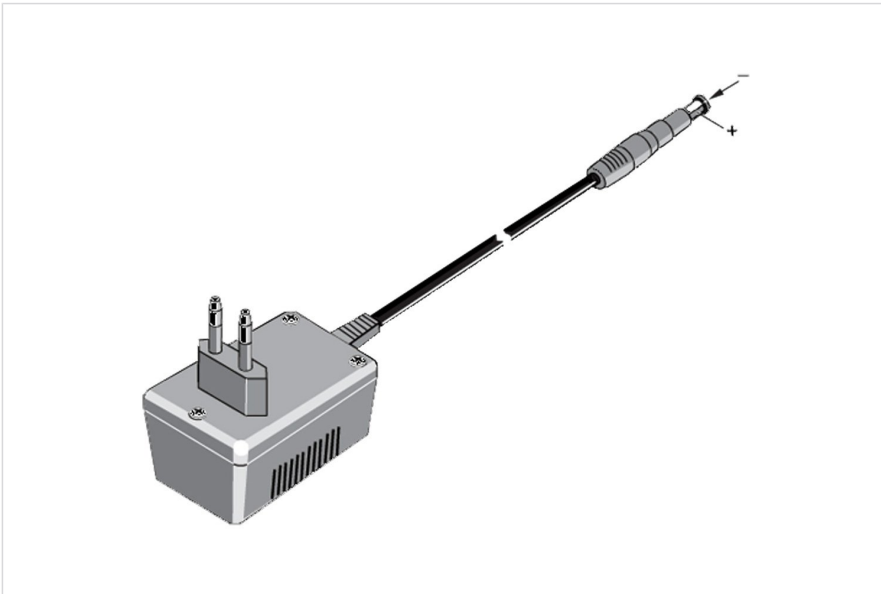
- Mains (line voltage):
 - /801 (Europe) 230 V \pm 10%
 - /803 (North America) 120 V \pm 100%
 - /804 (United Kingdom) 240 V \pm 10%
 - /806 (Japan) 100 V \pm 10%
 - /807 (Australia) 240 V \pm 10%
 - /808 (Universal) 115 V \pm 15% or 230 V \pm 15%
- /808 is equipped with a male receptacle plug that must be connected to a line cord appropriate for local use. (Line cord not included) A North American line plug adapter is included
- Frequency (all versions): 50 to 60 Hz \pm 10%
- Output Voltage: 15 V
- Output Current: 300 mA max.

- Output Plug: 5 mm power jack per DIN 45323
- Power Consumption: 10 VA
- Max. Voltage to Ground: 600 V rms. CAT III per IEC 61010-31

Thông số kỹ thuật: Fluke PM8907 Line Voltage Adapter/Battery Charger

Specifications	
Mains (line voltage)	801 (Europe) 230 V \pm 10%
	803 (North America) 120 V \pm 100%
	804 (United Kingdom) 240 V \pm 10%
	806 (Japan) 100 V \pm 10%
	807 (Australia) 240 V \pm 10%
	808 (Universal) 115 V \pm 15% or 230 V \pm 15%
Frequency (all versions)	50 to 60 Hz \pm 10%
Output Voltage	15 V
Output Current	300 mA max
Output Plug	5 mm power jack per DIN 45323
Power Consumption	10 V A
Max. Voltage to Ground	600 Vrms CAT III per IEC 61010-31

Model



PM8907/830

- Replacement Power Adapter Universal L6

Fluke. *Giữ cho thế giới của bạn. không ngừng vận động.*

Fluke Corporation

PO Box 9090, Everett, WA 98206 U.S.A.

For more information call:

In the U.S.A. (800) 443-5853

In Europe/M-East/Africa

+31 (0)40 267 5100

In Canada (905) 890-7600

From other countries +1 (425) 446-5500

Representative office of Fluke South East Asia Pte Ltd

C/O Danaher Vietnam

Green Power Tower, 11th Floor Unit 2

35 Ton Duch Thang Street, District 1

Ho Chi Minh City

Vietnam

Tel: +84-8-2220-5371 (ext 103)

Email: info.asean@fluke.com

www.fluke.com/vn

©2022 Fluke Corporation. Specifications subject to change without notice.

01/2022

Modification of this document is not permitted without written permission from Fluke Corporation.