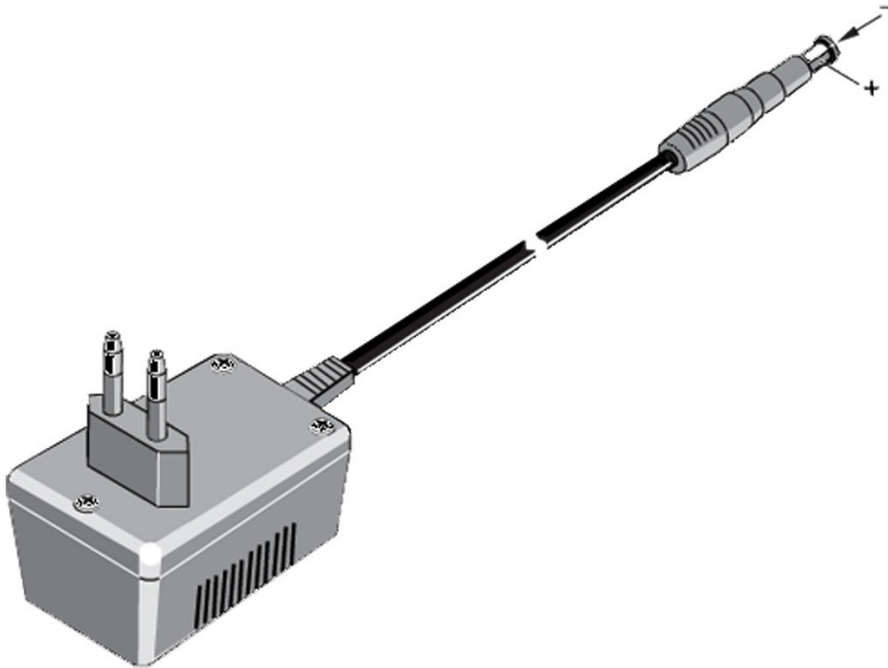


Technische gegevens

PM8907 Acculader/netspanningadapter EUR (120-serie)



Belangrijkste kenmerken

808 is equipped with a male receptacle plug that must be connected to a line cord appropriate for local use. (Line cord not included) A North American line plug adapter is included.

Productoverzicht: PM8907 Acculader/netspanningadapter EUR (120-serie)

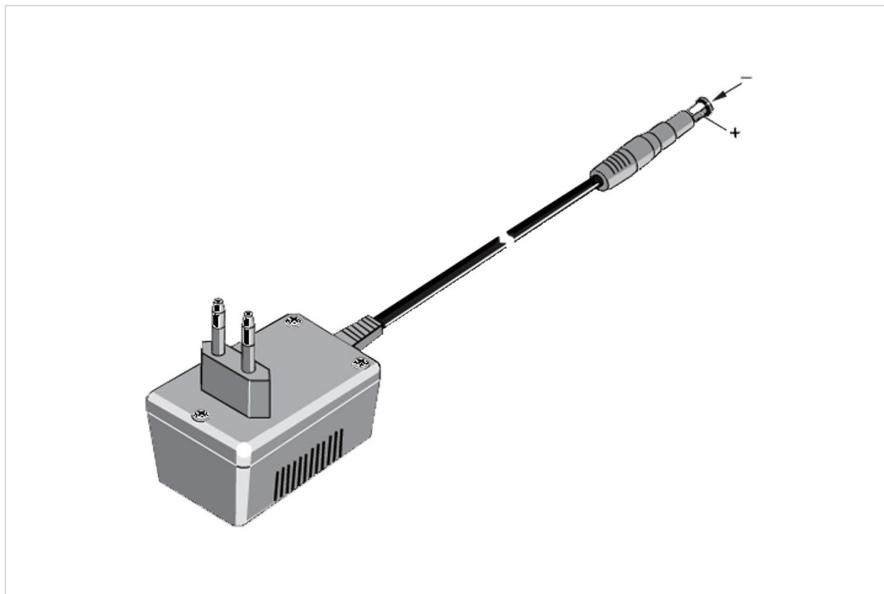
Provides power cord operation and charging for ScopeMeter 90 and 120 series as well as for the Fluke 43 and 43B Power Quality Analyzer and some accessories.

Specificaties: PM8907 Acculader/netspanningadapter EUR (120-serie)

Specifications	
Mains (line voltage)	801 (Europe) 230 V \pm 10%
	803 (North America) 120 V \pm 100%
	804 (United Kingdom) 240 V \pm 10%
	806 (Japan) 100 V \pm 10%

Frequency (all versions)	50 to 60 Hz \pm 10%
Output Voltage	15 V
Output Current	300 mA max
Output Plug	5 mm power jack per DIN 45323
Power Consumption	10 V A
Max. Voltage to Ground	600 Vrms CAT III per IEC 61010-31

Modellen



PM8907/830

- Replacement Power Adapter Universal L6

Fluke. *Keeping your world up and running.*®

Fluke Nederland B.V.
Postbus 1337
5602 BH Eindhoven
Tel: +31 40 267 5100
E-mail: cs.nl@fluke.com
www.fluke.nl

©2022 Fluke Corporation. Alle rechten
voorbehouden.
Wijzigingen zonder voorafgaande kennisgeving
voorbehouden.
01/2022

**Wijziging van dit document is niet toegestaan
zonder schriftelijke toestemming van Fluke
Corporation.**