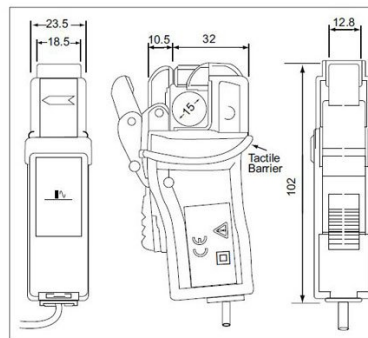


# Fluke Set of 3 5A/50A Current Clamps



## Product overview: Fluke Set of 3 5A/50A Current Clamps

Expand the capabilities of the Fluke 1735 and Fluke 1740 Series Loggers with the dual-range 5 A/50 A current clamps. The accessory includes three precision clamps that are automatically detected and scaled by the instrument when attached.

## Specifications: Fluke Set of 3 5A/50A Current Clamps

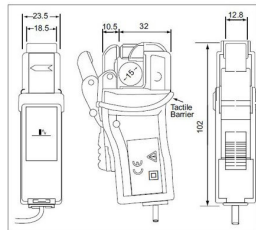
### Specifications

Electrical characteristics	<b>Nominal current in</b>	50 A AC rms
	Overload	up to 100 A rms
	Conductor position influence	< 0.5% of range at 50/60 Hz
	Error due to adjacent conductor	≤ 15 mA/A at 50 Hz
	Phase shift at 2 kHz at 200 A	< ±1°
	Frequency range	40 Hz to 10 kHz (-3 dB)
	Temperature coefficient	0.015% of range / °C
	Working voltage (see section safety)	600 V AC rms or DC
	Order reference	1-phase: EP0442A 3-phase: EP0452A 3-phase+N: EP0453A
Accuracy	<b>Primary current 0.125 A to 2.5 A</b>	Operating error in % of reading: ±2.5% Phase shift: not specified
	Primary current 2.5 A to 12.5 A	Operating error in % of reading: ±1.5% Phase shift: < 2°
	Primary current 12.5 A to 25 A	Operating error in % of reading: ±0.5% Phase shift: < 0.5°
	Primary current 25 A to 50 A	Operating error in % of reading: ±0.5% Phase shift: < 1°
General characteristics	<b>Maximum conductor size</b>	15 mm diameter, bus bar 15 x 17 mm
	Cable length	2 m
	Operating temperature range	-10°C to +55°C
	Storage temperature range	-20°C to +70°C
	Operating humidity	15% to 85% rh (non condensing)
	Weight (per clamp)	175 g
Reference conditions	<b>Environment temperature range</b>	+18°C to +26°C
	Humidity	20% to 75% r.h.
	Current	sinusoidal waveform, 48 to 65 Hz, distortion factor: < 1%, no DC component
	Load impedance for voltage output	≥ 1 MΩ, <100 pF
Safety standards	IEC/EN61010-1: 2001	
	IEC/EN61010-2-032	
	IEC/EN61010-2-031	



Safety	600 V CAT III, pollution degree 2
	The application of the clamps on uninsulated conductors is limited to 600 V rms or DC to ground and frequencies below 1 kHz.
EMC standards	EN61326-1: 1997/A1: 1998
Dimensions	102 x 42.5 x 23.5 mm

## Ordering information



### **Fluke MBX Clamp 5A/50A**

Set of 3 5A/50A Current Clamps

---



**Fluke.** *Keeping your world up and running.®*

**Fluke Corporation**  
PO Box 9090, Everett, WA 98206 U.S.A.

**For more information call:**  
In the U.S.A. (800) 443-5853  
In Canada (800) 36-FLUKE  
From other countries +1 (425) 446-5500  
[www.fluke.com](http://www.fluke.com)

©2021 Fluke Corporation.  
Specifications subject to change without notice.  
12/2021

**Modification of this document is not permitted  
without written permission from Fluke Corporation.**