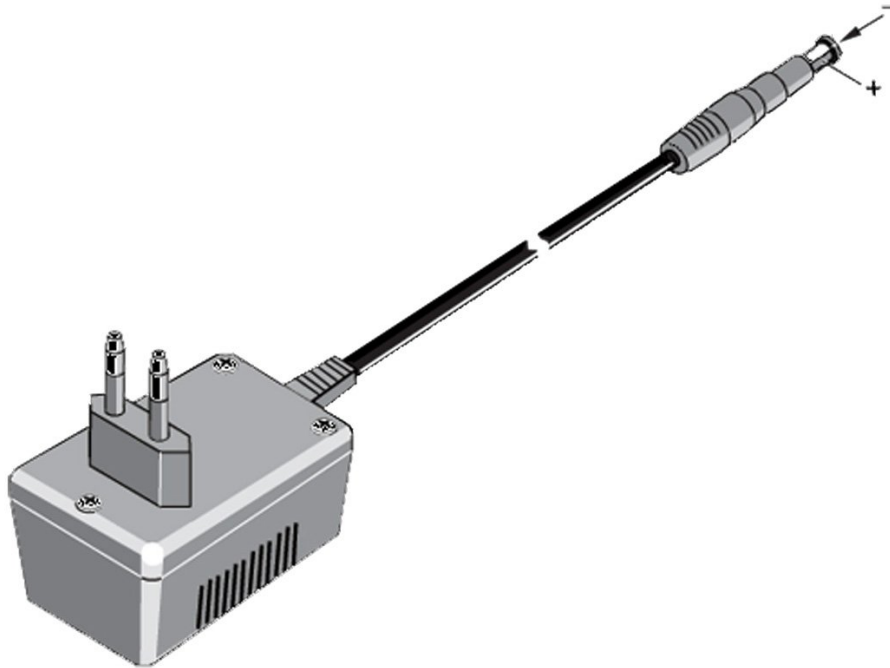


# Fluke PM8907 Line Voltage Adapter/Battery Charger



## Key features

808 is equipped with a male receptacle plug that must be connected to a line cord appropriate for local use. (Line cord not included) A North American line plug adapter is included.

## Product overview: Fluke PM8907 Line Voltage Adapter/Battery Charger

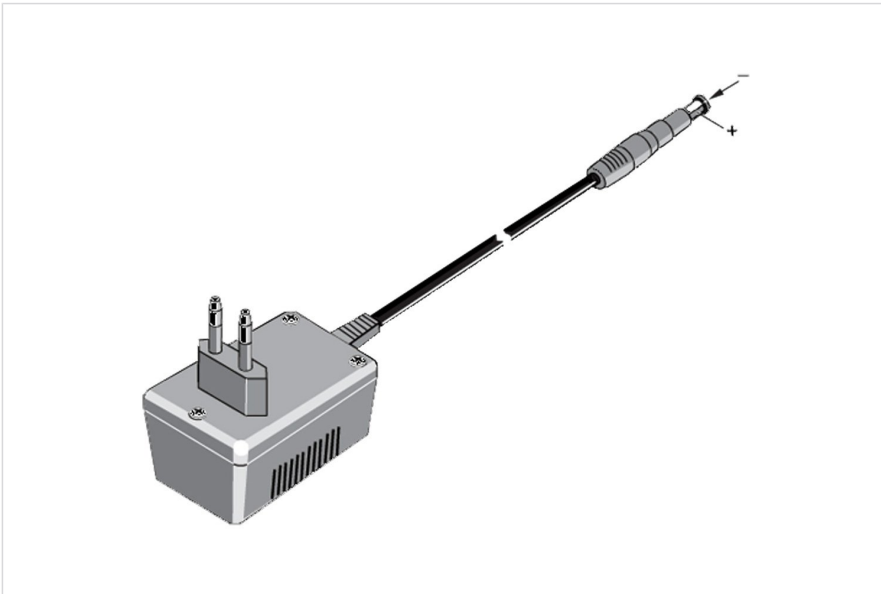
Provides power cord operation and charging for ScopeMeter 90 and 120 series as well as for the Fluke 43 and 43B Power Quality Analyzer and some accessories.

## Specifications: Fluke PM8907 Line Voltage Adapter/Battery Charger

Specifications	
Mains (line voltage)	801 (Europe) 230 V ± 10%
	803 (North America) 120 V ± 100%
	804 (United Kingdom) 240 V ± 10%
	806 (Japan) 100 V ± 10%
	807 (Australia) 240 V ± 10%
	808 (Universal) 115 V ± 15% or 230 V ± 15%

Frequency (all versions)	50 to 60 Hz $\pm$ 10%
Output Voltage	15 V
Output Current	300 mA max
Output Plug	5 mm power jack per DIN 45323
Power Consumption	10 V A
Max. Voltage to Ground	600 Vrms CAT III per IEC 61010-31

## Ordering information



### **PM8907/830**

- Replacement Power Adapter Universal L6

**Fluke.** *Keeping your world up and running.®*

**Fluke Corporation**

PO Box 9090, Everett, WA 98206 U.S.A.

**For more information call:**

In the U.S.A. (800) 443-5853

In Europe/M-East/Africa +31 (0)40 267 5100

In Canada (800)-36-FLUKE

From other countries +1 (425) 446-5500

**Fluke Electronics (Malaysia) Sdn Bhd**

Suite D-3A-4, Block D

SouthGage Commercial Centre, No2

Jalan Dua Off Jln Chan Sow Lin

55200 KL

Malaysia

Email: [info.asean@fluke.com](mailto:info.asean@fluke.com)

[www.fluke.com/my](http://www.fluke.com/my)

©2021 Fluke Corporation. Specifications subject to change without notice.

12/2021

**Modification of this document is not permitted without written permission from Fluke Corporation.**